

BIOLET

The biological composting toilet



No water

No drainage

No odour

No chemicals

Easy to maintain

Simple to use

Low cost
installation

Environmentally
sound

The Australian-made *Biolet* is a self-contained waterless toilet system ideal for holiday homes and as a convenience in isolated locations with infrequent visitors.

Instead of using water to carry wastes away, *Biolet* uses naturally occurring aerobic organisms to break down organic wastes into harmless humus which looks and smells like garden compost.

Because *Biolet* is completely self-contained, there is no need for plumbing, drainage or septic pits. Which means you can install *Biolet* anywhere, even next to ecologically sensitive waterways.

A correctly installed and maintained *Biolet* is odour free, is easy to clean and absolutely safe for you and the environment.



Here's how Biolet works

Your *Biolet* toilet comes ready to install. All that is needed is an electrical outlet and the connection of a simple ventilation pipe for *Biolet* to go into immediate operation in any toilet room.

Biolet works on the principle of converting solid toilet wastes to humus through the operation of naturally occurring aerobic organisms. The first step in this process is the removal of excess liquid from the waste. This typically reduces the volume of waste by more than 90%.

Liquid is evaporated from the waste in the *Biolet* with the help of a low powered heater. A small fan blows warmed air through the composting waste and draws vapour up through the vent pipe to the atmosphere. The continuous venting system also ensures that there is no odour associated with the composting process.

Installation

Biolet is simple to install for a handyperson in a couple of hours. Full instructions and advice are supplied with each unit.

The *Biolet* should be positioned against the wall of the toilet room. Drill a hole through the wall or ceiling for the supplied ventilation pipe and connect the ventilation pipe to the toilet.

If the ventilation pipe has to pass through unheated spaces, ensure the pipe is well insulated.

The warm air provided by the heater and fan also assists in the breakdown of the solid waste by supplying the aerobic organisms with oxygen. Agitation of the rake mechanism also ensures proper aeration of the compost as it continues to break down into environmentally safe humus.

After a period of from 3 to 6 months (depending on usage) humus may be removed from the collecting tray. The humus should be disposed of in accordance with local Health Department regulations. In some cases, this means burying the humus in the earth to a depth of 30 cms (12 inches) and covered with 20 cms (8 inches) of soil.

BIOLET is manufactured in Australia and distributed by **Environment Equipment Pty Ltd**

Start up

To activate the aerobic organisms which will break down wastes into harmless humus, we supply you with a humus-starter. The starter is simply distributed evenly inside the *Biolet* which is then ready for operation. Humus starter supplies the original micro-organisms which start breaking down the waste.

Maintenance

The only maintenance your *Biolet* will need is periodic mixing of the compost using the rake handle and removal of humus when the humus-tray is full. This is fully explained in the owner's guide supplied with each *Biolet*.

Biolet is not recommended for use by persons who use antibiotic or diuretic medicines for extended periods of time.

Empty the supplied humus-starter into the toilet. Connect the power cord to the nearest earthed 240 Volt AC power outlet and check the *Biolet* thermostat in accordance with the owner's guide.

Your *Biolet* is now ready for operation.

Cleaning

The seat bowl and pedestal may be cleaned with water and a mild liquid cleaner or detergent, ensuring no cleaner enters the composting chamber. Use disinfectant only on a damp sponge as it may interfere with the proper operation of the aerobic organisms.

Specifications

Biolet is manufactured from strong, durable fibreglass and is fitted with a tough polyurethane seat. All internal fittings are made from stainless steel.

Overall dimensions: Height 700mm; Width 530mm; Depth 780mm.

Necessary floorspace in front of *Biolet* for emptying the humus-tray is 600mm x 1000mm.

Vent pipe: The vent pipe and insulation may be purchased from your local plumbing supply store or your *Biolet* supplier.

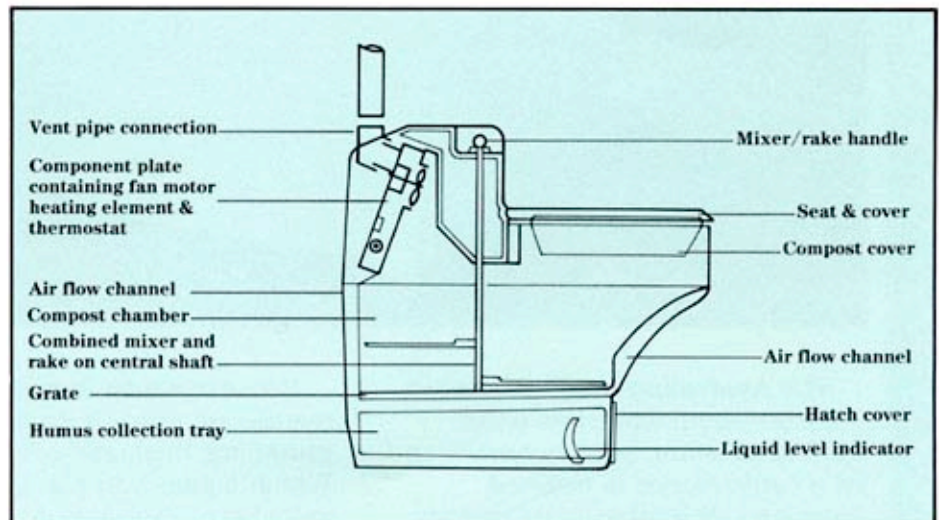
Capacity per unit:

Biolet is designed for intermittent use in holiday homes or similar locations by up to 6 persons. It is not recommended for year round use in these locations by more than 2 persons.

Biolet can handle occasional overloads of short duration. A transparent, external fluid-level indicator warns of overuse. In this case excess fluids may be drained off and disposed of.

Biolet carries a 12 month factory warranty. *Biolet* is approved by Australian Health departments.

Please Note: In full time residential situations we recommend the installation of our Rota-loo biological composting toilet which has the capacity to permanently cater for a family of up to 6 persons.



To purchase a *Biolet* please contact:



Factory and Showroom
14 Jarrah Drive
Braeside
Victoria 3195
Phone (03) 9587 2447
Fax (03) 9587 2082
email: sales@rotaloo.com